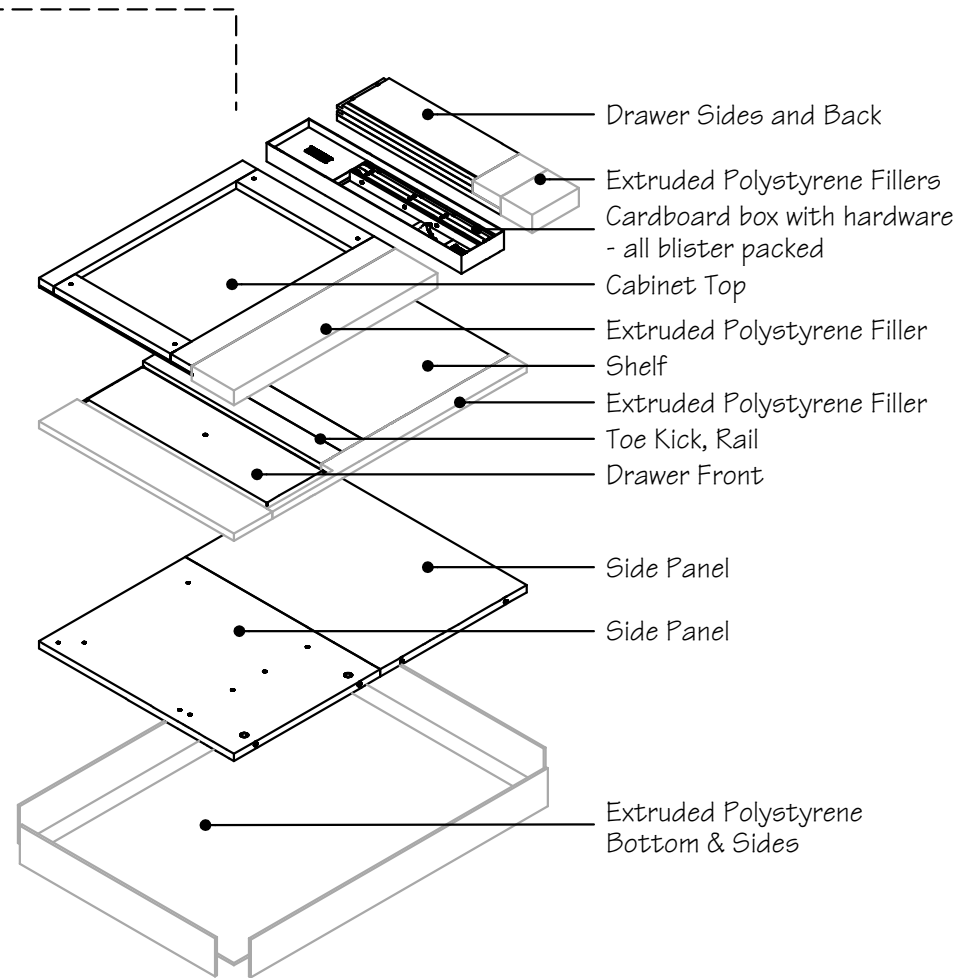
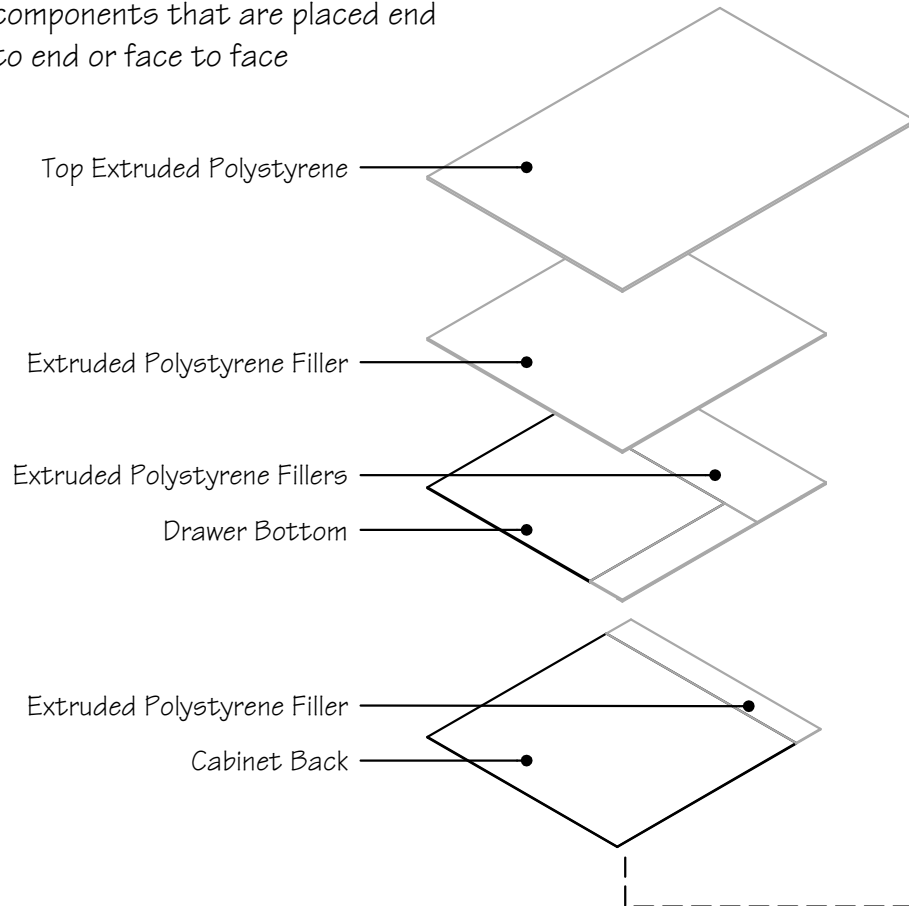


- Grey indicates extruded polystyrene fillers
- Place tissue between any wood components that are placed end to end or face to face



Liberty Series - Night Stand Packing Scheme

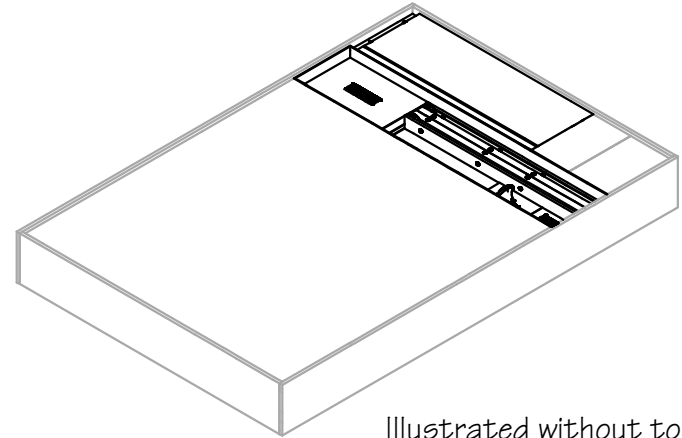
Drawing by: Donald B. Cheke
 #51 - 425 Bayfield Crescent
 Saskatoon, SK Canada S7V 1E6
 (306) 242-9690
 dcheke@textualcreations.ca
 www.textualcreations.ca

Privileged & Confidential

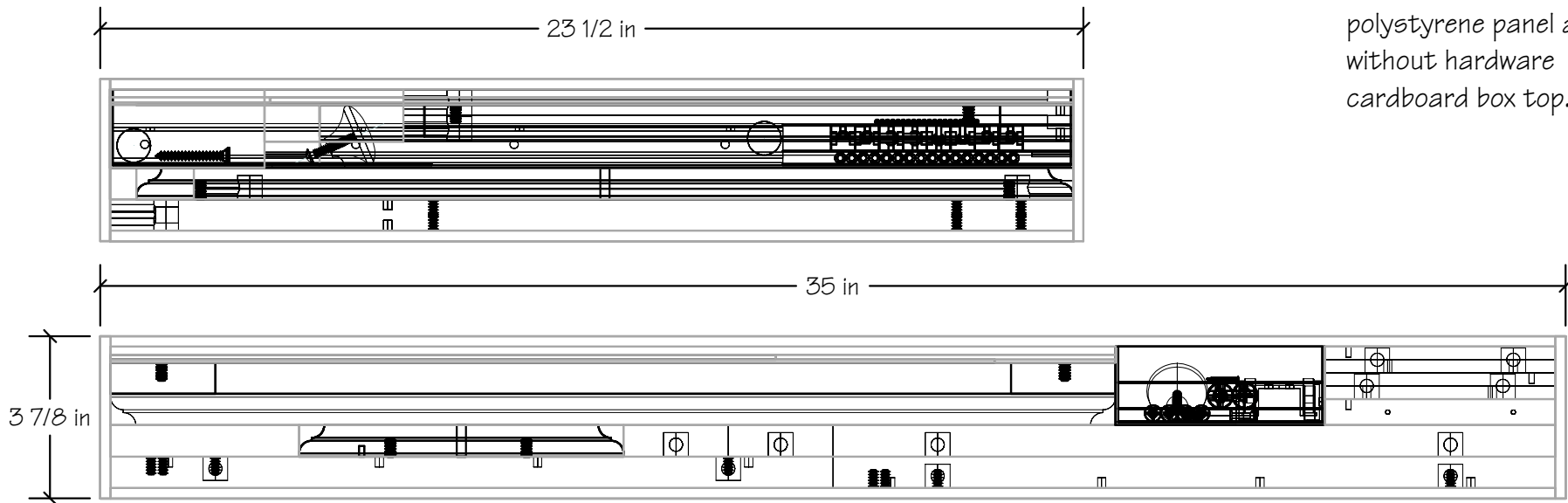
Grey indicates extruded polystyrene fillers

Illustrated without outer cardboard shell.
Add 1/4" to overall size in three dimensions
for final packing size.

Dimensions may vary slightly in production



Illustrated without top
polystyrene panel and
without hardware
cardboard box top.



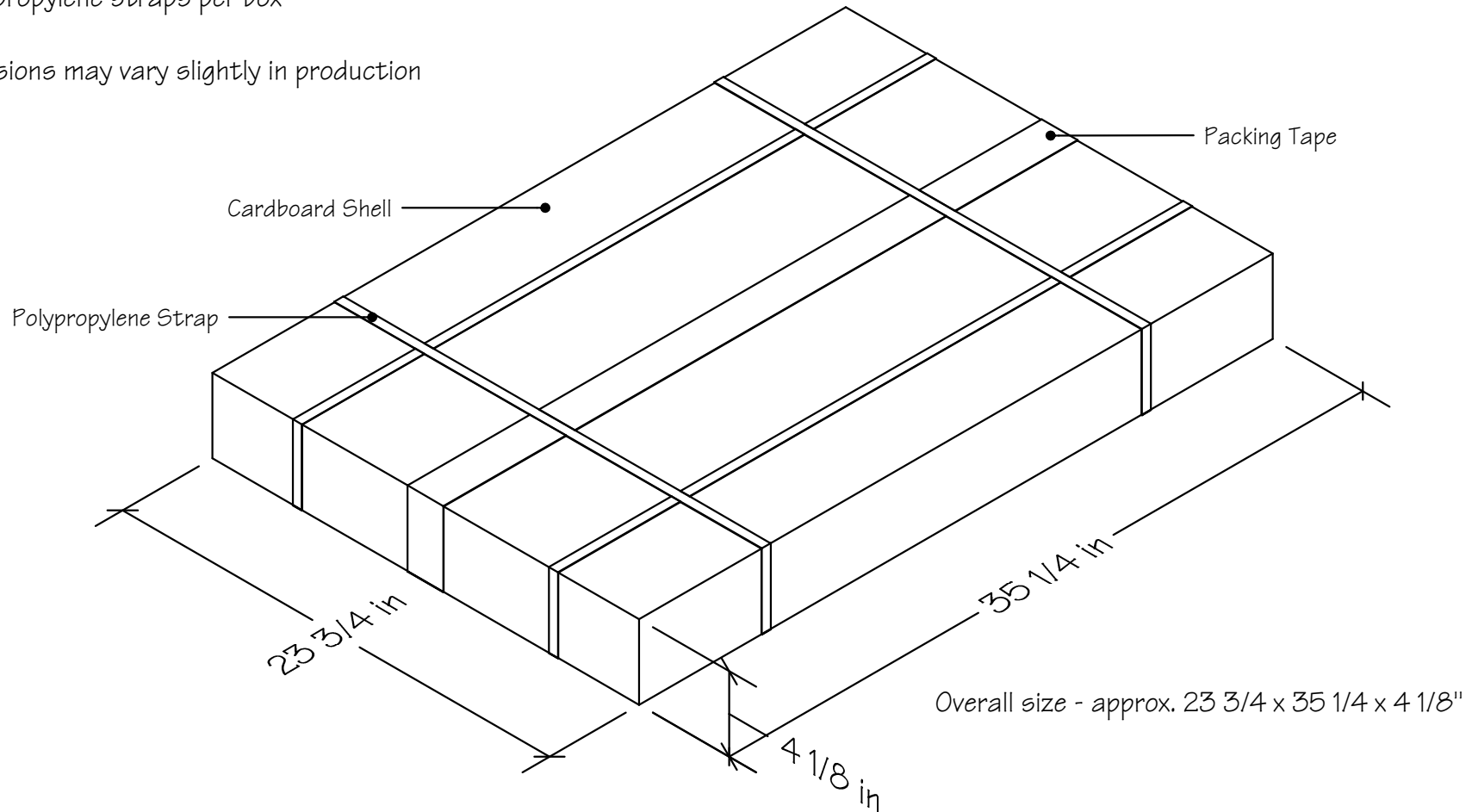
Liberty Series - Night Stand Packing Scheme

Drawing by: Donald B. Cheke
#51 - 425 Bayfield Crescent
Saskatoon, SK Canada S7V 1E6
(306) 242-9690
dcheke@textualcreations.ca
www.textualcreations.ca

Privileged & Confidential

Top loading cardboard box
Packing tape sealed
4 polypropylene straps per box

Dimensions may vary slightly in production



Liberty Series - Night Stand Packing Scheme

Drawing by: Donald B. Cheke
#51 - 425 Bayfield Crescent
Saskatoon, SK Canada S7V 1E6
(306) 242-9690
dcheke@textualcreations.ca
www.textualcreations.ca

Privileged & Confidential