

3

2

1

REVISIONS

REV	DESCRIPTION	DATE	BY
-	-	-	-

C

C

26'-2"

B

B

58'-9"

55'-9"

A

A

TEXTUAL CREATIONS

THESE DRAWINGS AND SPECIFICATIONS ARE THE PROPERTY OF TEXTUAL CREATIONS AND SHALL NOT BE REPRODUCED, COPIED OR USED DIRECTLY OR INDIRECTLY FOR ANY PURPOSE WITHOUT THE EXPRESS WRITTEN PERMISSION OF TEXTUAL CREATIONS - COPYRIGHT 2010

DRAWN BY DBC	DATE JANUARY 26, 2010
CHECKED BY -	DATE -
APPROVED BY -	DATE -
CONFIDENTIAL	

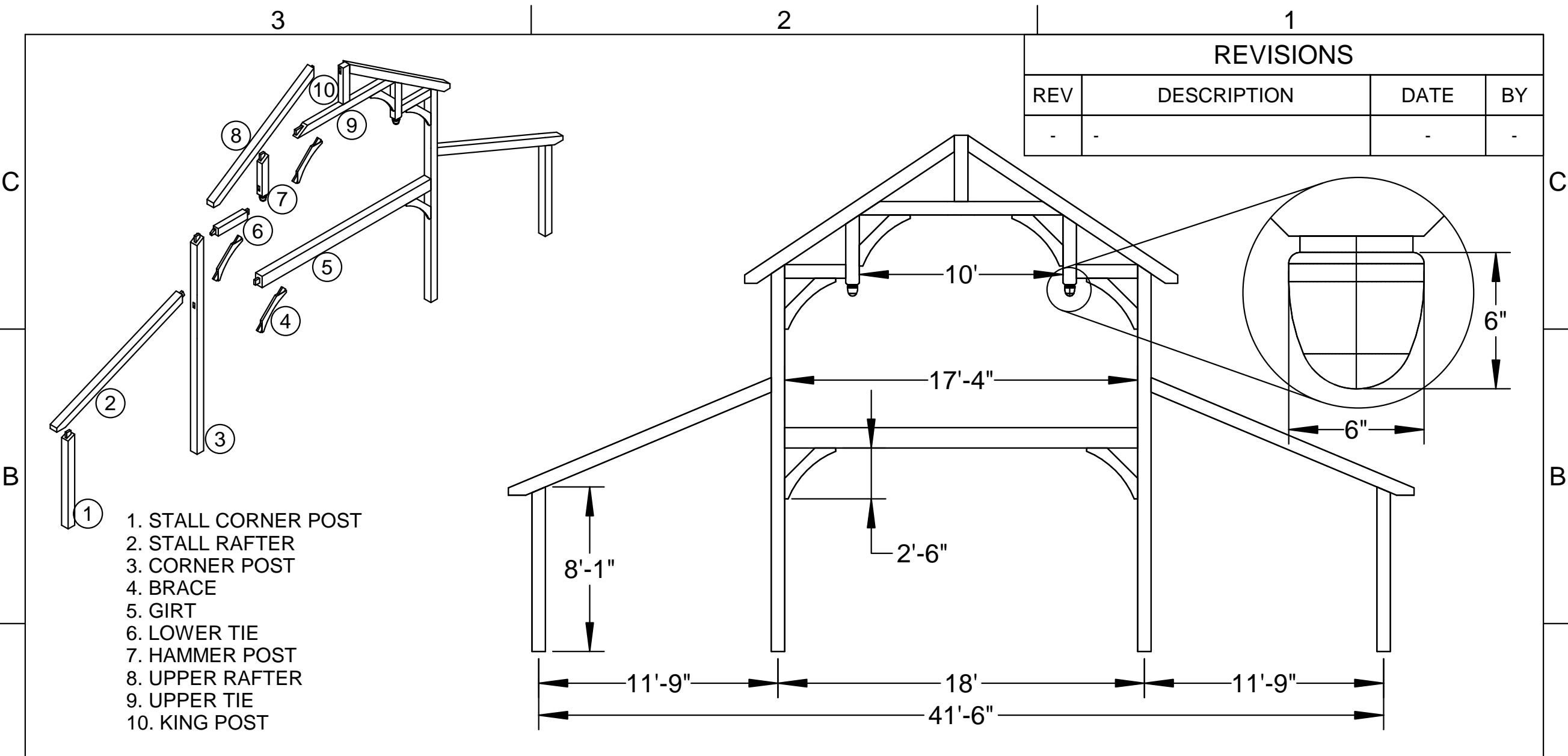
TIMBER FRAME BARN
LIBERTY DAIRY PRODUCTS

DRAWING NAME	TFB_43-3X55-9_012610	REV	-
DRAWING SIZE	LEGAL	SCALE	-
SHEET	2 OF 6		

3

2

1



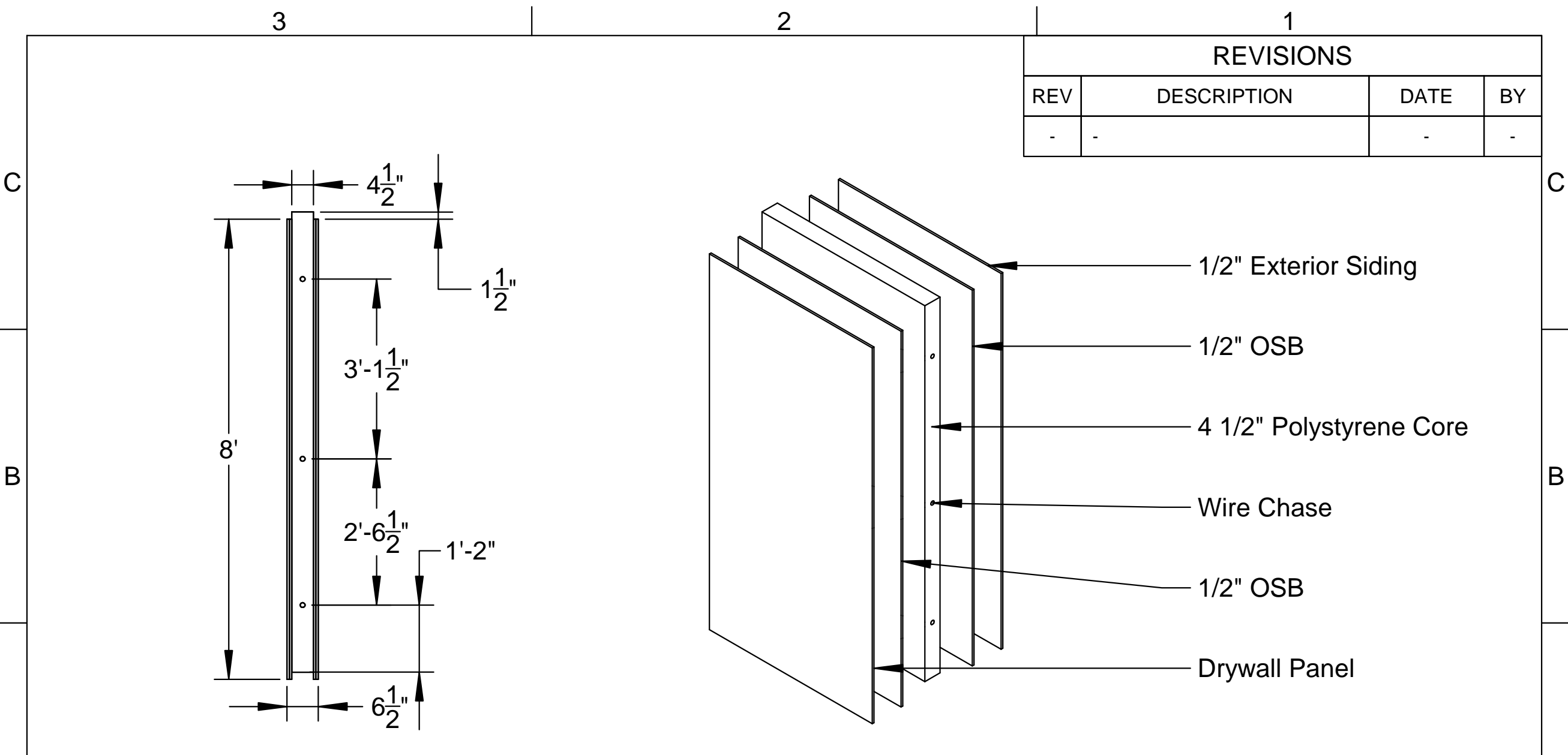
REVISIONS			
REV	DESCRIPTION	DATE	BY
-	-	-	-

- 1. STALL CORNER POST
- 2. STALL RAFTER
- 3. CORNER POST
- 4. BRACE
- 5. GIRT
- 6. LOWER TIE
- 7. HAMMER POST
- 8. UPPER RAFTER
- 9. UPPER TIE
- 10. KING POST

THESE DRAWINGS AND SPECIFICATIONS ARE THE PROPERTY OF TEXTUAL CREATIONS AND SHALL NOT BE REPRODUCED, COPIED OR USED DIRECTLY OR INDIRECTLY FOR ANY PURPOSE WITHOUT THE EXPRESS WRITTEN PERMISSION OF TEXTUAL CREATIONS - COPYRIGHT 2010

DRAWN BY DBC	DATE JANUARY 26, 2010
CHECKED BY -	DATE -
APPROVED BY -	DATE -
CONFIDENTIAL	

TIMBER FRAME BARN			
LIBERTY DAIRY PRODUCTS			
DRAWING NAME	TFB_43-3X55-9_012610	REV	-
DRAWING SIZE	LEGAL	SCALE	-
SHEET	4 OF 6		



REVISIONS			
REV	DESCRIPTION	DATE	BY
-	-	-	-

TEXTUAL CREATIONS

THESE DRAWINGS AND SPECIFICATIONS ARE THE PROPERTY OF TEXTUAL CREATIONS AND SHALL NOT BE REPRODUCED, COPIED OR USED DIRECTLY OR INDIRECTLY FOR ANY PURPOSE WITHOUT THE EXPRESS WRITTEN PERMISSION OF TEXTUAL CREATIONS - COPYRIGHT 2010

DRAWN BY DBC	DATE JANUARY 26, 2010
CHECKED BY -	DATE -
APPROVED BY -	DATE -
CONFIDENTIAL	

TIMBER FRAME BARN LIBERTY DAIRY PRODUCTS			
DRAWING NAME	TFB_43-3X55-9_012610	REV	-
DRAWING SIZE	LEGAL	SCALE	-
SHEET	5 OF 6		

3

2

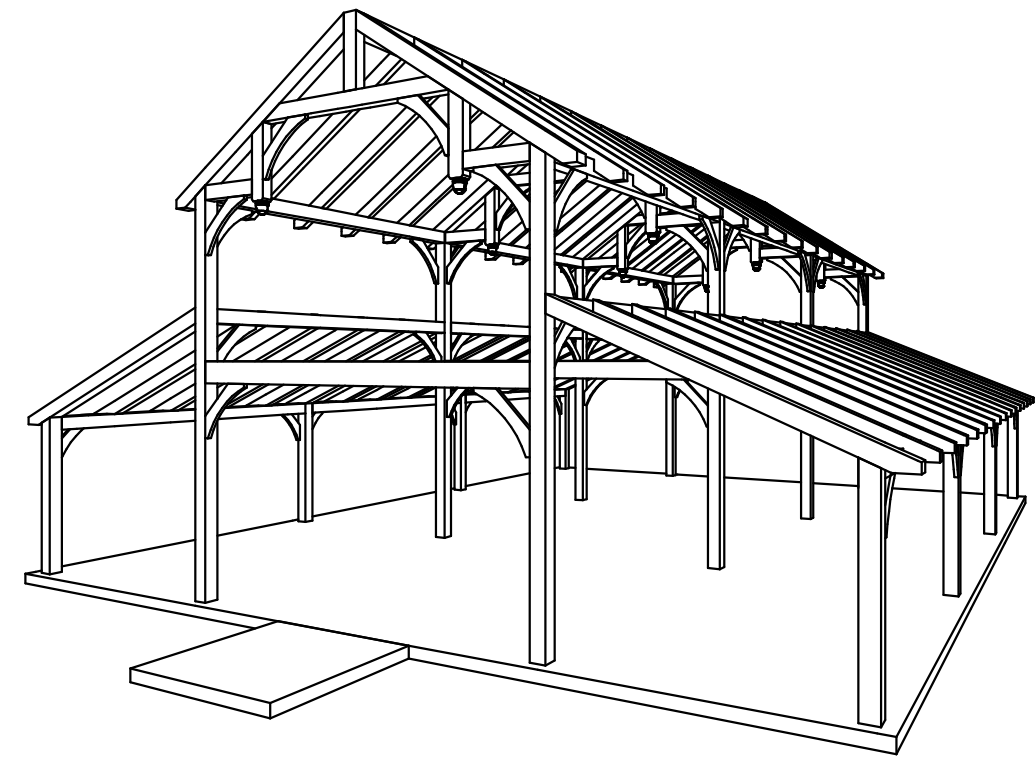
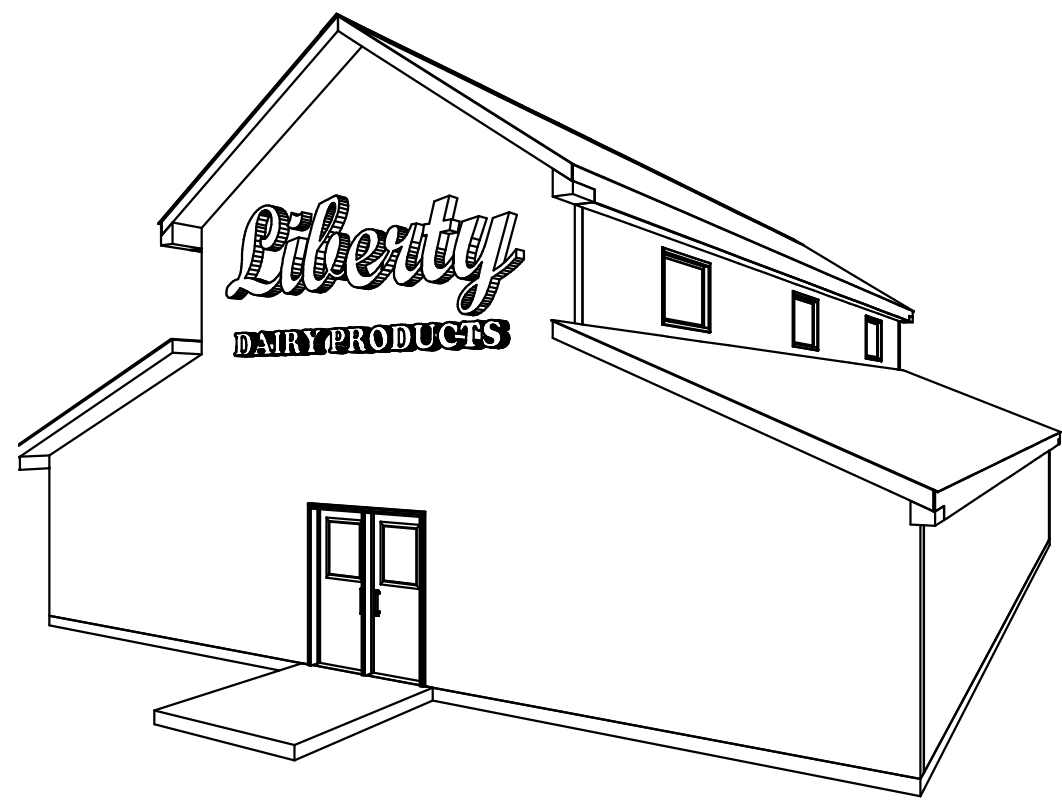
1

REVISIONS

REV	DESCRIPTION	DATE	BY
-	-	-	-

C

C



B

B

A

A

TEXTUAL CREATIONS

THESE DRAWINGS AND SPECIFICATIONS ARE THE PROPERTY OF TEXTUAL CREATIONS AND SHALL NOT BE REPRODUCED, COPIED OR USED DIRECTLY OR INDIRECTLY FOR ANY PURPOSE WITHOUT THE EXPRESS WRITTEN PERMISSION OF TEXTUAL CREATIONS - COPYRIGHT 2010

DRAWN BY DBC	DATE JANUARY 26, 2010
CHECKED BY -	DATE -
APPROVED BY -	DATE -

TIMBER FRAME BARN LIBERTY DAIRY PRODUCTS

DRAWING NAME	TFB_43-3X55-9_012610	REV	-
DRAWING SIZE	LEGAL	SCALE	-
		SHEET	6 OF 6

3

2

1